

# MUN12AD01-SG 1A uPOL Module EVB Guide

## ELECTRICAL SPECIFICATION:

| Parameters     | Symbol | Value    | Unit |
|----------------|--------|----------|------|
| Input Voltage  | VIN    | 4.5~16.0 | V    |
| Output Voltage | VOUT   | Adjust   | V    |
| Output Current | IOUT   | 1        | A    |

## OUTPUT VOLTAGE SETTING:

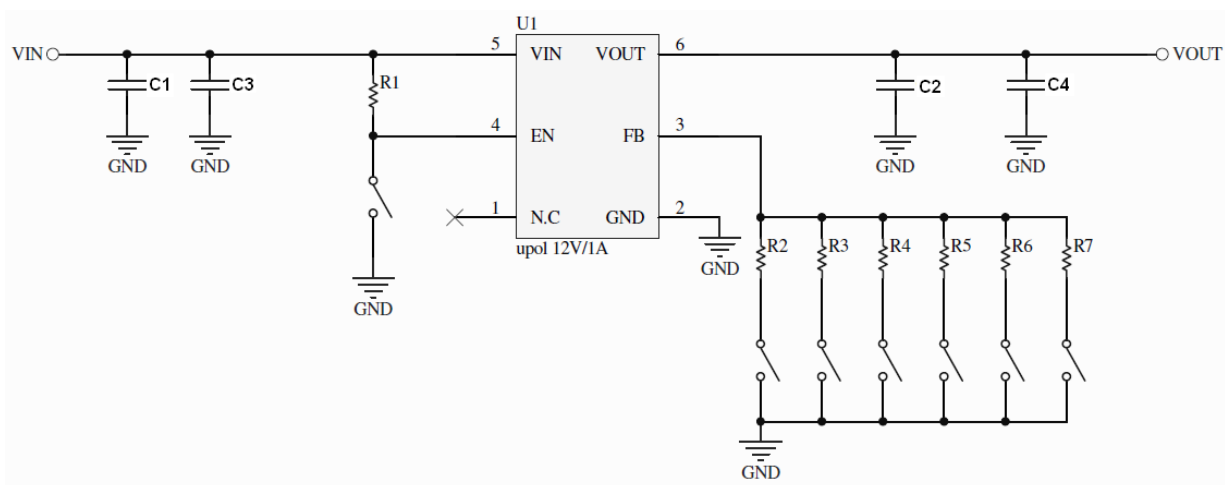
$$V_{OUT} = 0.60 \times \left( 1 + \frac{100k}{R_2} \right)$$

|          |               |               |                 |              |                 |                 |                 |
|----------|---------------|---------------|-----------------|--------------|-----------------|-----------------|-----------------|
| Vout (V) | 1.0           | 1.2           | 1.5             | 1.8          | 2.5             | 3.3             | 5.0             |
| $R_{FB}$ | 150K $\Omega$ | 100K $\Omega$ | 66.67K $\Omega$ | 50K $\Omega$ | 31.58K $\Omega$ | 22.22K $\Omega$ | 13.64K $\Omega$ |

TABLE 1: OUPUT VOLTAGE SETTING

# MUN12AD01-SG 1A uPOL Module EVB Guide

## EVALUATION BOARD SCHEMATIC:

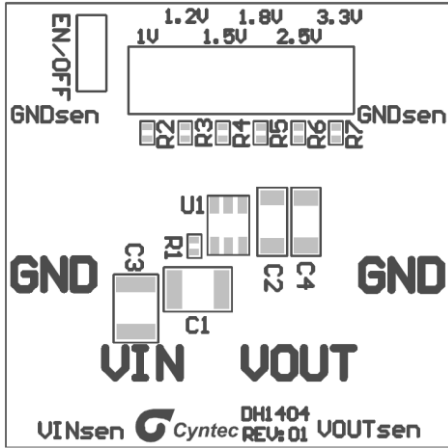


## BILL OF MATERIALS:

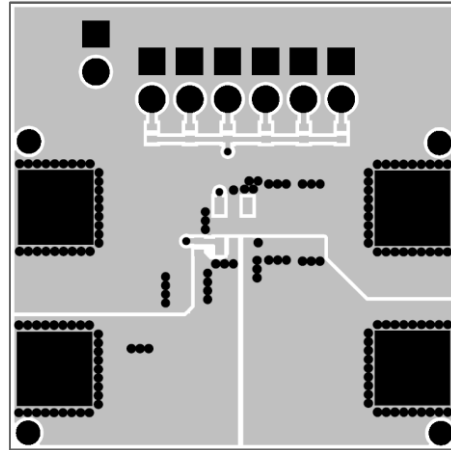
| Ref.  | Value                         | Description  | Package |
|-------|-------------------------------|--|---------|
| C1    | 10uF                          | 25V/X7R  | 1210    |
| C2    | 22uF                          | 10V/X7R  | 1206    |
| C3    |                               | N.C.   |         |
| C4    |                               | N.C.   |         |
| R1    | 100k                          | Chip Res, +/-0.5%                                  | 0402    |
| R2-R7 | Depend on Vout, refer table 1 |  | 0402    |
| U1    | 1 A                           | MUN12AD01-SG 1A uPOL Module<br>(3.9mmx2.6mmx1.7mm) | DFN     |

# MUN12AD01-SG 1A uPOL Module EVB Guide

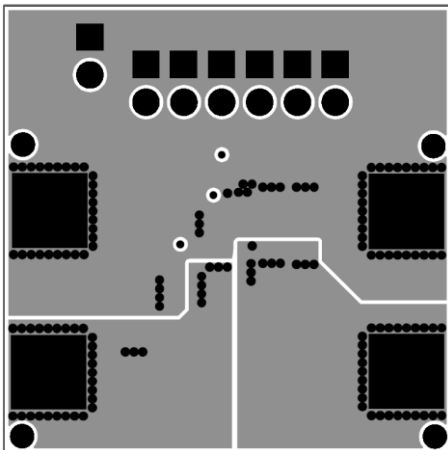
## PRINTED CIRCUIT BOARD LAYOUT:



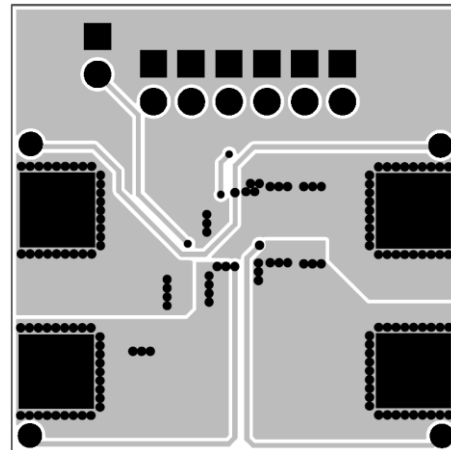
Components Location on Bottom



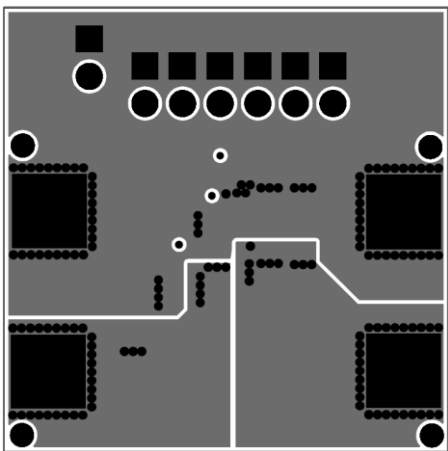
Top Layer



Mid Layer1



Mid Layer2



Bottom Layer